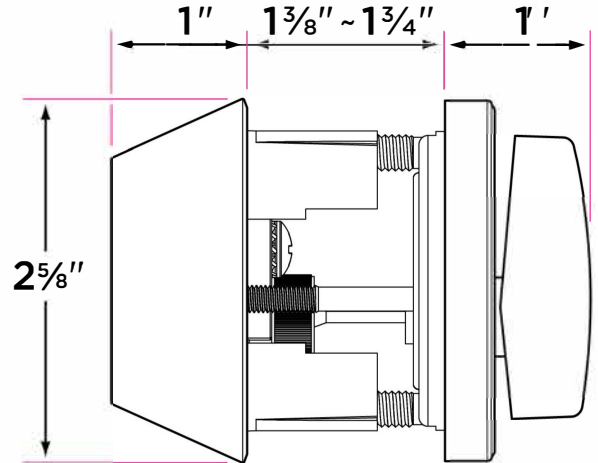


Deadbolts

Commercial Deadbolt grade 2

DB301



DESCRIPTION

PRODUCT CODE

CASE

Single Cylinder Deadbolt

DB301

12

Finishes

26D Satin Chrome

Door Handing

Non-handed

Door Thickness

1 3/8" to 1 3/4"

Key Cylinder

6 pin SC1

Strike Plate

2 1/4" x 1 3/4" full-lip radius corner standard

2 1/4" x 1" deadbolt strike

Latch

2 1/4" x 1" radius corner faceplate

Specify 2 3/8" or 2 3/4"

1" throw bolt

Pre-drilled plug for construction master keying

Cut resistant bolt with hardened steel rolling inserts

Door Prep

Crossbore 2 1/8"

Edgebore 1"

Materials

Brass housing

All metal parts