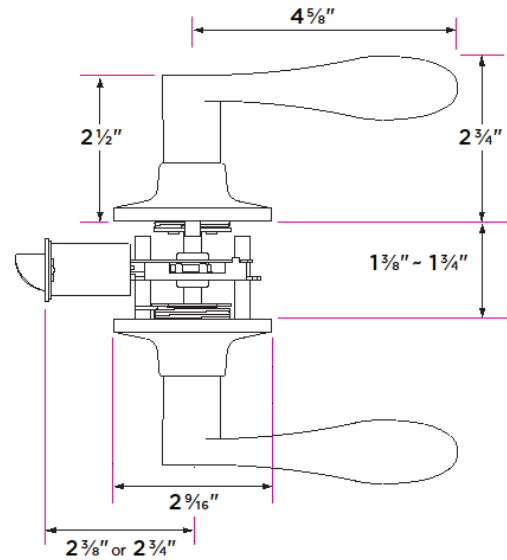


Snowbird Lever



| DESCRIPTION | PRODUCT CODE | CASE |
|---|--------------|------|
| Passage (hall/closet) Both sides always free | SB101 | 24 |
| Privacy (bed/bath) Locked by finger turn. Unlocked by finger turn or coin slot from the outside | SB102 | 24 |
| Entry-Locked/unlocked by inside finger turn or outside key | SB107 | 12 |
| Entry and Deadbolt Combo | SB107/DB | 12 |
| Dummy (closet) Inactive, single-sided, flush mount with two wood screws | SB100 | 24 |
| Handleset Interior Trim | SB100-H | 24 |

Finishes

15 Satin Nickel
11P Vintage Bronze
FBL Flat Black

Door Handing

Reversible Handing
Specify handing for dummy and handleset interior trim

Door Thickness

1 3/8" to 1 3/4"

Key Cylinder

5 Pin KW1
5 Pin SC1 option

Strike Plate

2 1/4" x 1 3/4" full lip radius corner standard

Latch

Adjustable 2 3/8" - 2 3/4" backset
1/2" throw bolt
2 1/4" x 1" radius corner faceplate or 4 way drive-in latch
45 degree lever turn radius

Door Prep

Crossbore 2 1/8"
Edgebore 1"

Materials

Zinc
All metal parts