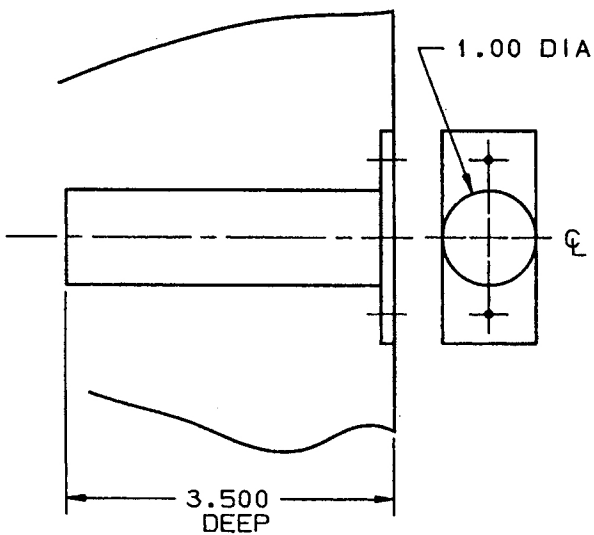
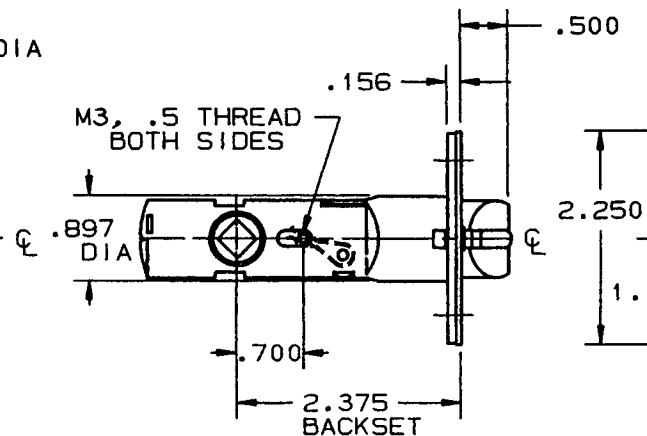
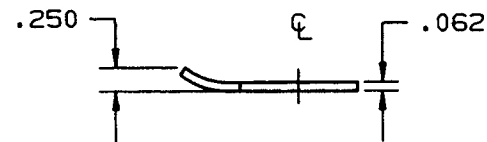
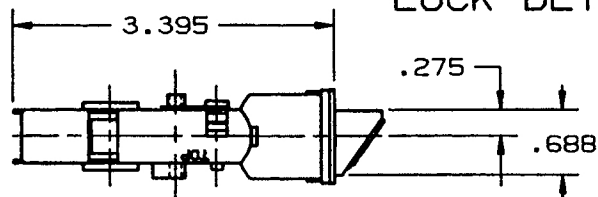


DOOR DETAIL

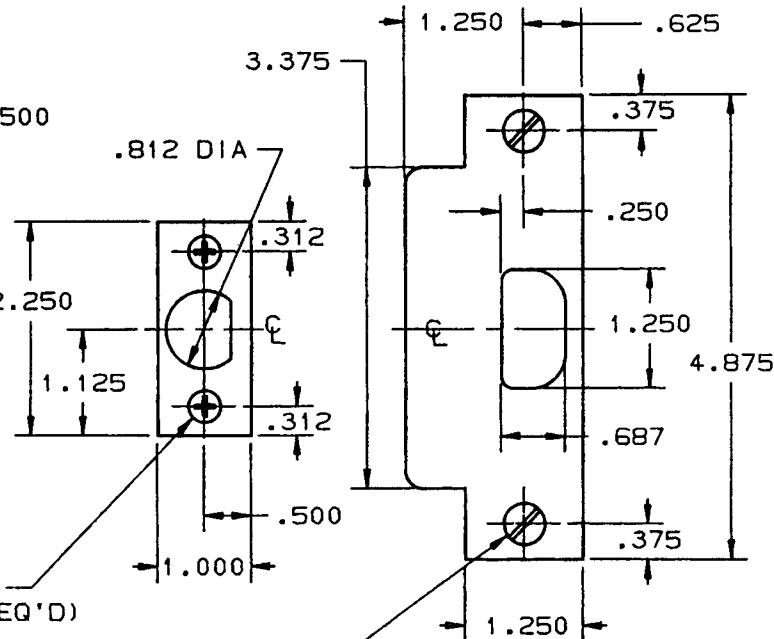


☉ STRIKE, LATCH,
AND DOOR

LOCK DETAIL



NO 8 FL PH S/M/S
X .750 LONG (2-REQ'D)



NO 12-24 FL SL UC M/S
X .500 LG (2-REQ'D)

NOTE:
1. SEE SPECIFIC TRIM TEMPLATE FOR
ADDITIONAL DOOR CUTOUT DETAILS.

EFFECTIVE 1-2-91 RLL

DO NOT SCALE DRAWING

B. BALDWIN	
5510-PASA, 5513-PASA	
TEMPLATE NO. VARIATIONS	TEMPLATE NO.
	F601