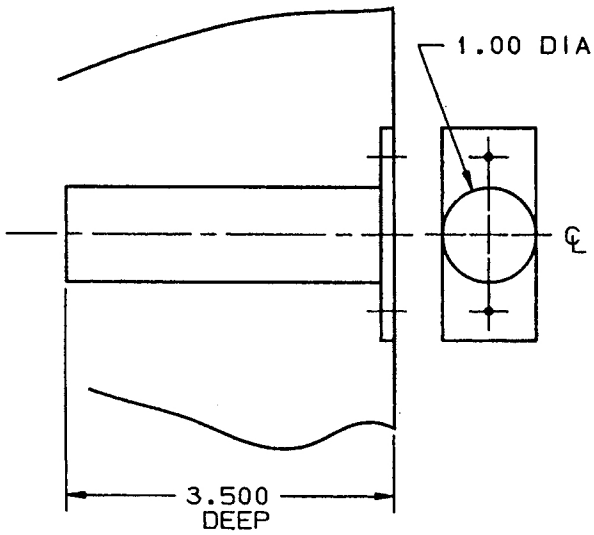
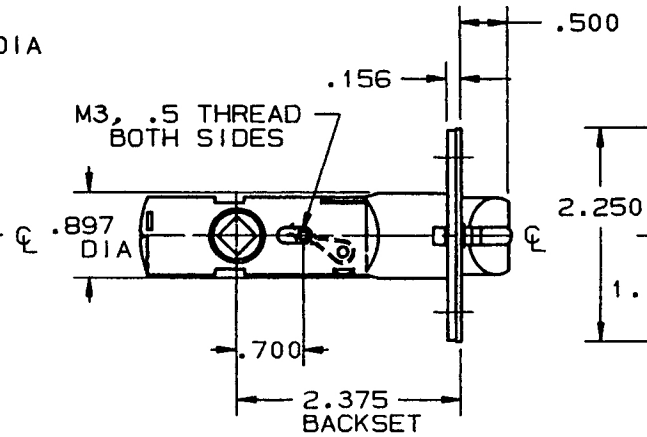
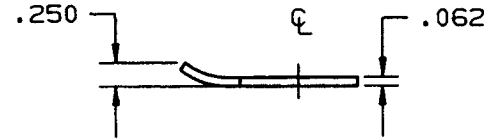
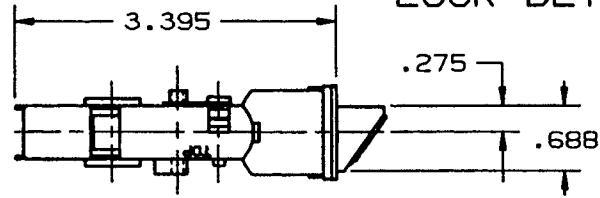


DOOR DETAIL

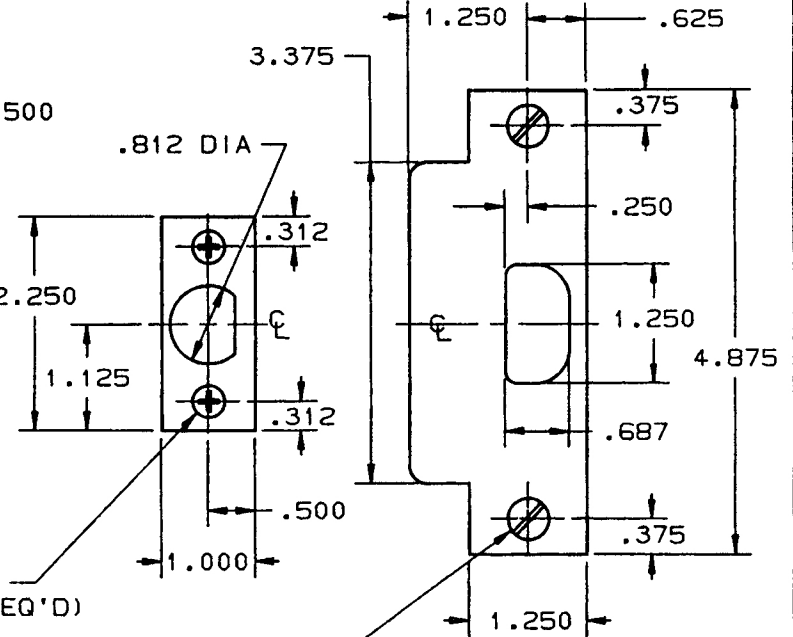


☒ STRIKE, LATCH,
AND DOOR

LOCK DETAIL



NO 8 FL PH S/M/S
X .750 LONG (2-REQ'D)



NO 12-24 FL SL UC M/S
X .500 LG (2-REQ'D)

NOTE:
1. SEE SPECIFIC TRIM TEMPLATE FOR
ADDITIONAL DOOR CUTOUT DETAILS.

DO NOT SCALE DRAWING

EFFECTIVE 11-2-91 RLL

| | |
|-----------------------------|--------------|
| B. BALDWIN | |
| 5510-PASA, 5513-PASA | |
| TEMPLATE NO. VARIATIONS | TEMPLATE NO. |
| | F601 |