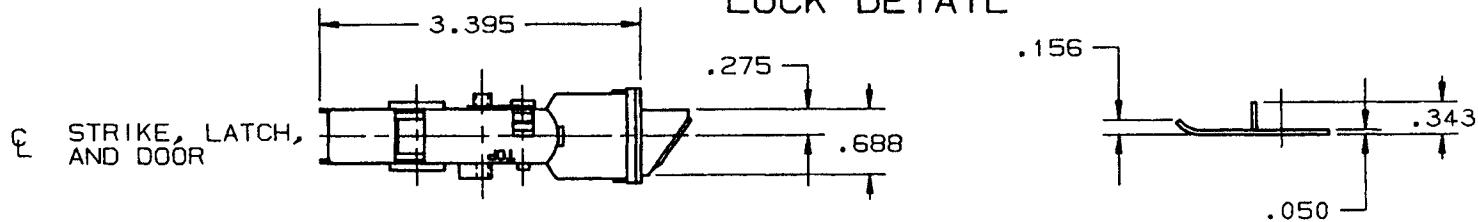
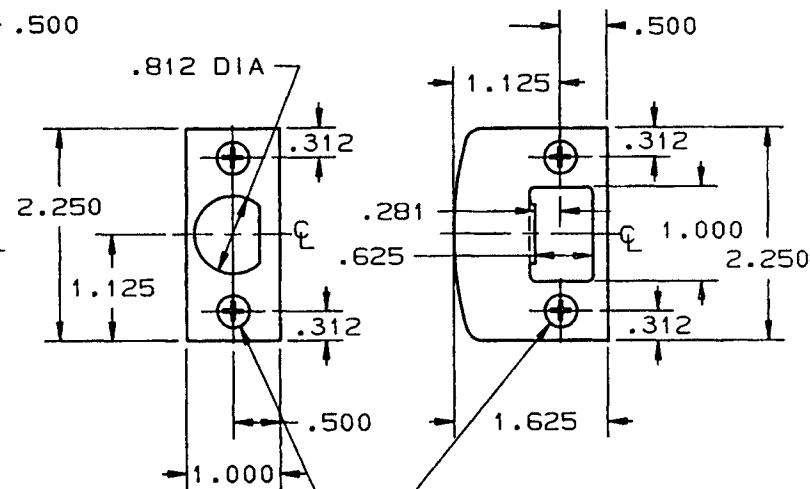
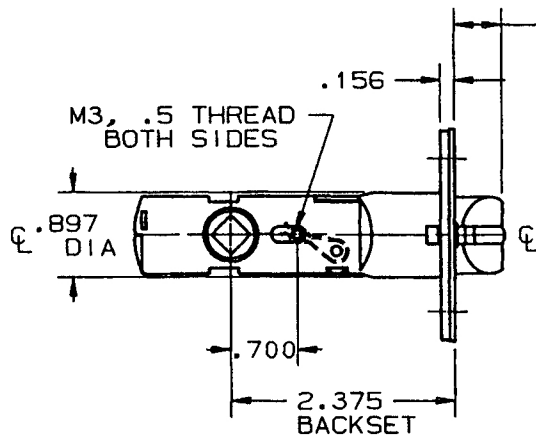
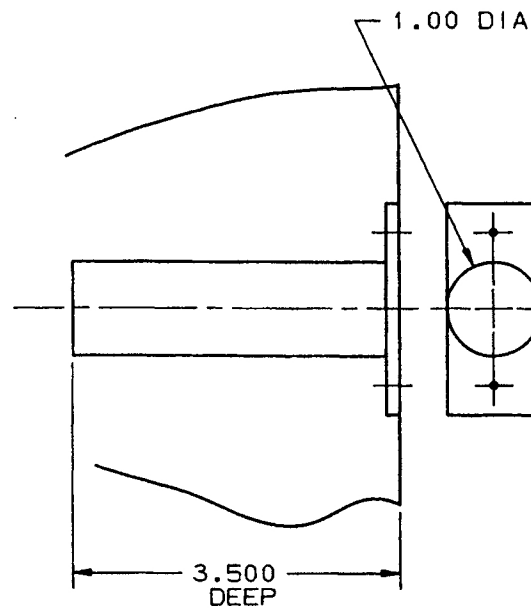


LOCK DETAIL



☉ STRIKE, LATCH,  
AND DOOR

DOOR DETAIL



NO 8 FL PH S/M/S  
X .750 LONG (4-REQ'D)

NOTE:  
1. SEE SPECIFIC TRIM TEMPLATE FOR  
ADDITIONAL DOOR CUTOUT DETAILS.

DO NOT SCALE DRAWING

EFFECTIVE 1-2-91 P.M.J.

<b>BALDWIN</b>	
<b>5510-PFLS, 5513-PFLS</b>	
TEMPLATE NO. VARIATIONS	TEMPLATE NO.
	<b>F602</b>