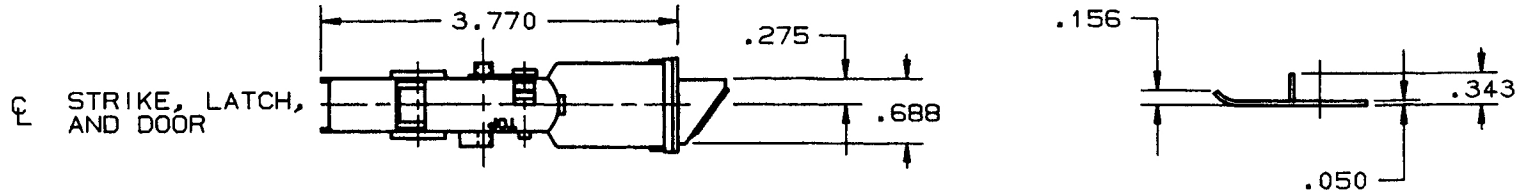
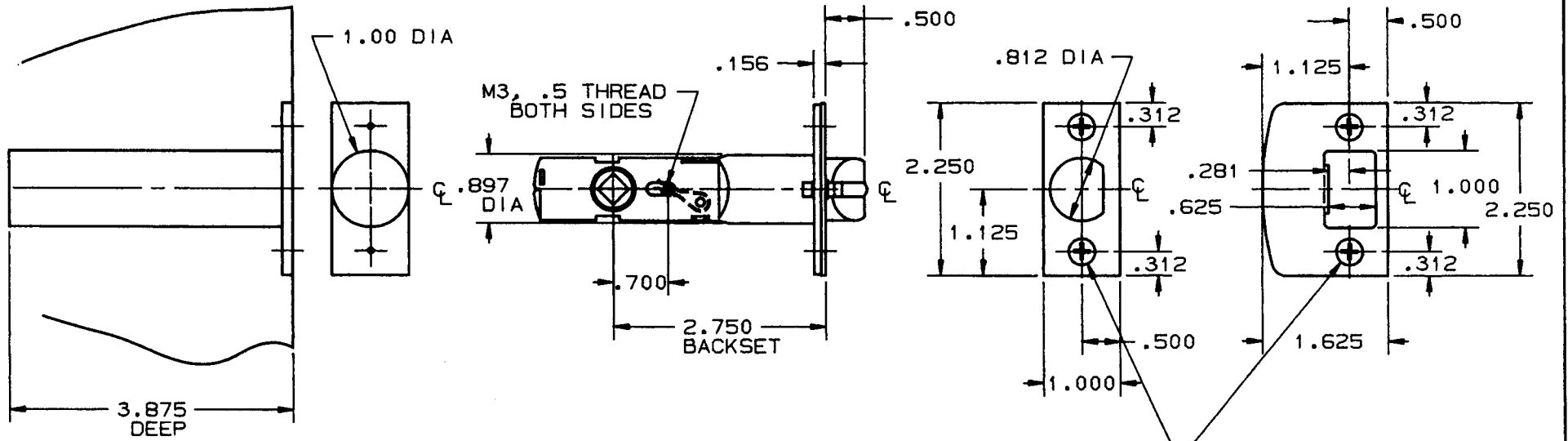


LOCK DETAIL



DOOR DETAIL



NO 8 FL PH S/M/S
X .750 LONG (4-REQ'D)

NOTE:
1. SEE SPECIFIC TRIM TEMPLATE FOR
ADDITIONAL DOOR CUTOUT DETAILS.

EFFECTIVE: 1-2-91 PLS

DO NOT SCALE DRAWING

BALDWIN	
5520-PFLS, 5523-PFLS	
TEMPLATE NO. VARIATIONS	TEMPLATE NO.
	F612