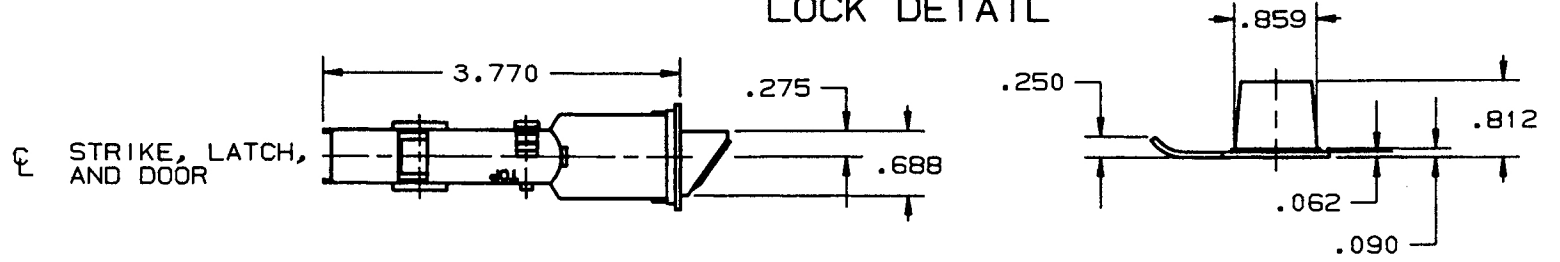
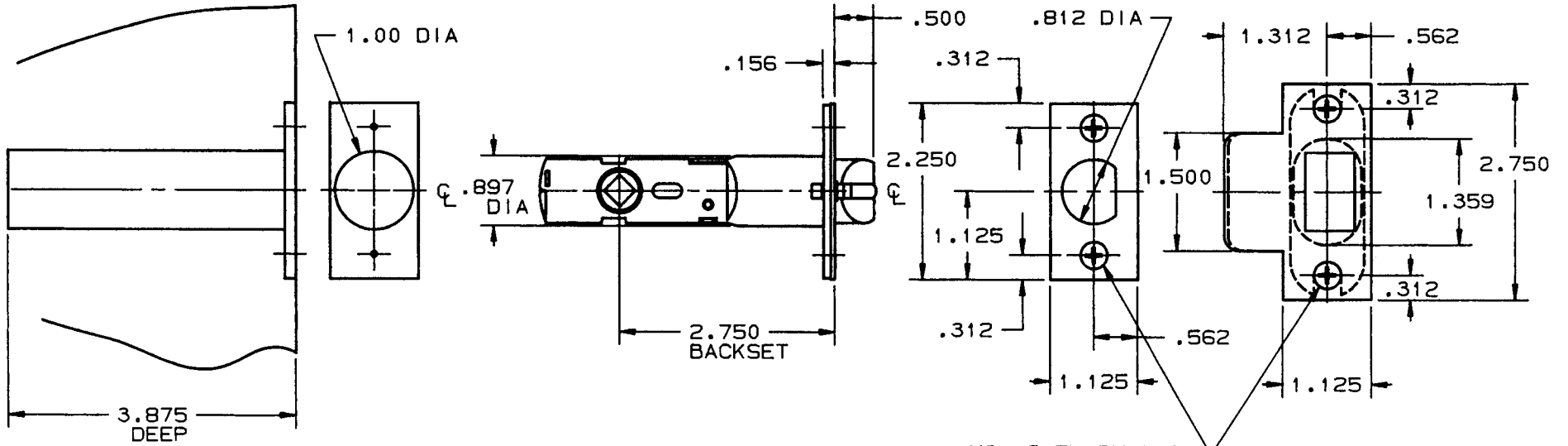


LOCK DETAIL



DOOR DETAIL



NOTE:  
1. SEE SPECIFIC TRIM TEMPLATE FOR ADDITIONAL DOOR CUTOUT DETAILS.

EFFECTIVE 11-2-91 & A/S

DO NOT SCALE DRAWING

<b>B. BALDWIN</b>	
<b>5522, 5525 LATCH</b>	
TEMPLATE NO. VARIATIONS	TEMPLATE NO.
	<b>F513</b>

©1991 by Baldwin Hardware Corporation