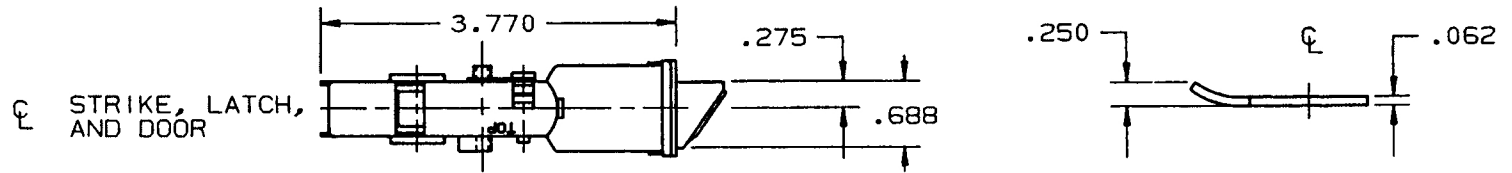
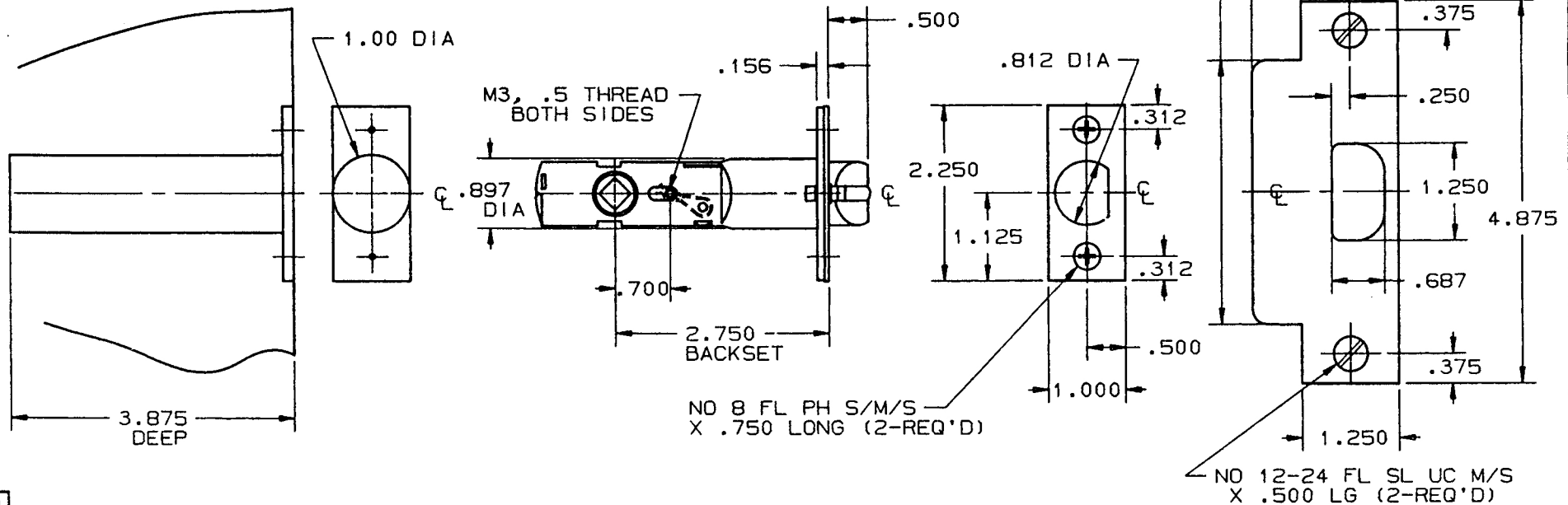


LOCK DETAIL



DOOR DETAIL



NOTE:
 1. SEE SPECIFIC TRIM TEMPLATE FOR ADDITIONAL DOOR CUTOUT DETAILS.

DO NOT SCALE DRAWING

B. BALDWIN	
5520-PASA, 5523-PASA	
TEMPLATE NO. VARIATIONS	TEMPLATE NO.
	F611

EFFECTIVE 1-2-91 (2A)