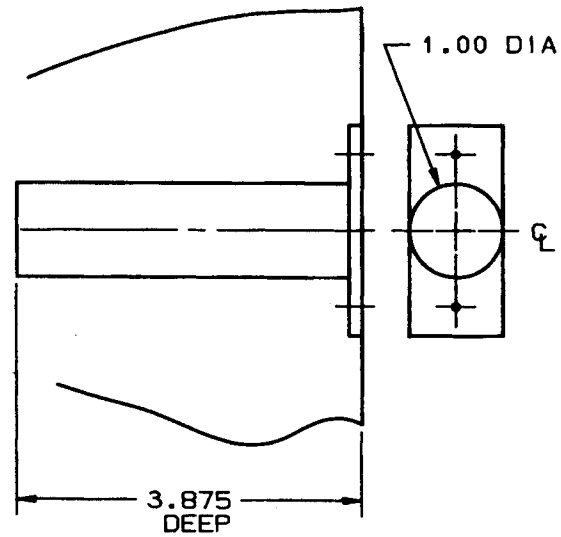
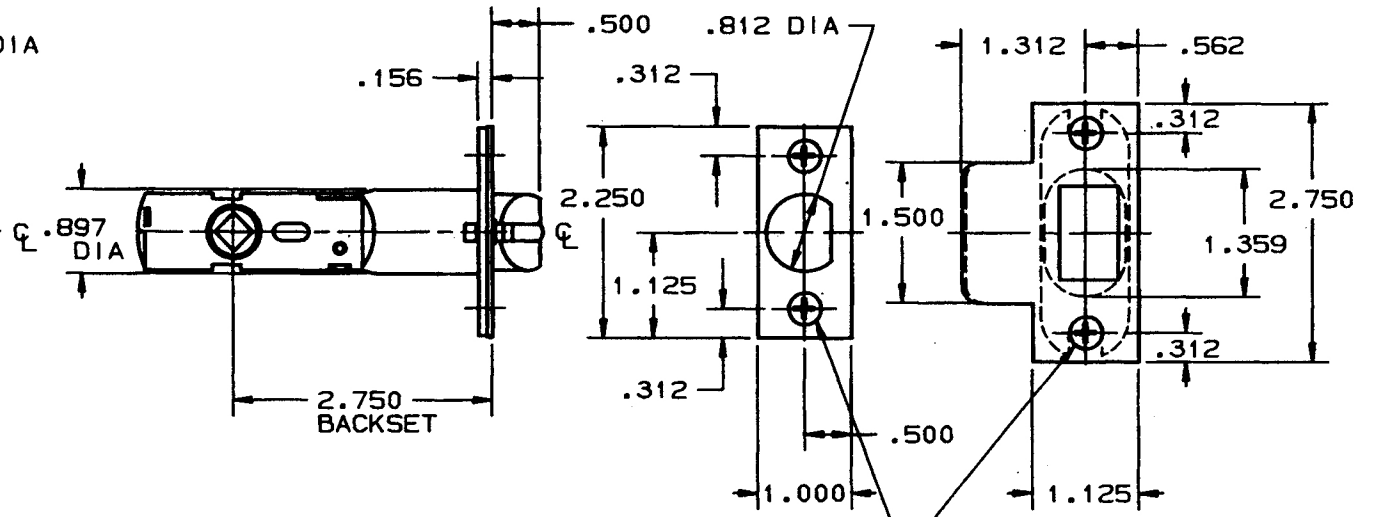
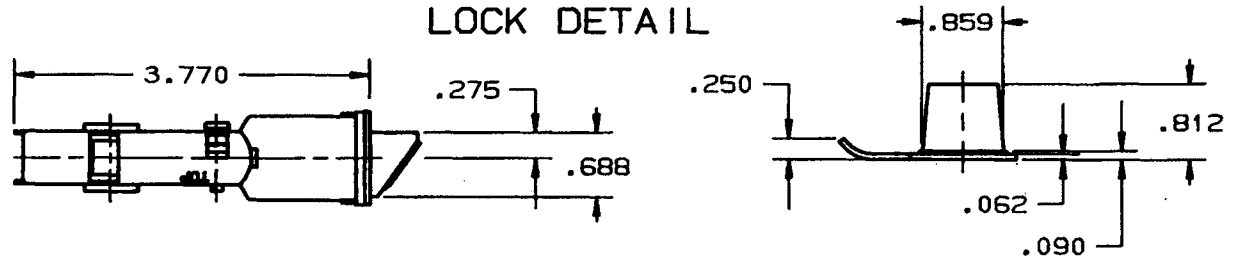


DOOR DETAIL



CL STRIKE, LATCH,  
AND DOOR

LOCK DETAIL



NO. 8 FL PH SMS  
X .750 LONG (4-REQ'D)

NOTE:  
1. SEE SPECIFIC TRIM TEMPLATE FOR  
ADDITIONAL DOOR CUTOUT DETAILS.

DO NOT SCALE DRAWING

<b>BALDWIN</b>	
<b>5520, 5523 LATCH</b>	
TEMPLATE NO. VARIATIONS	TEMPLATE NO.
	<b>F510</b>

©1991 by Baldwin Hardware Corporation

EFFECTIVE 1-2-91 RAL