

# Bravura®

## Specifications:

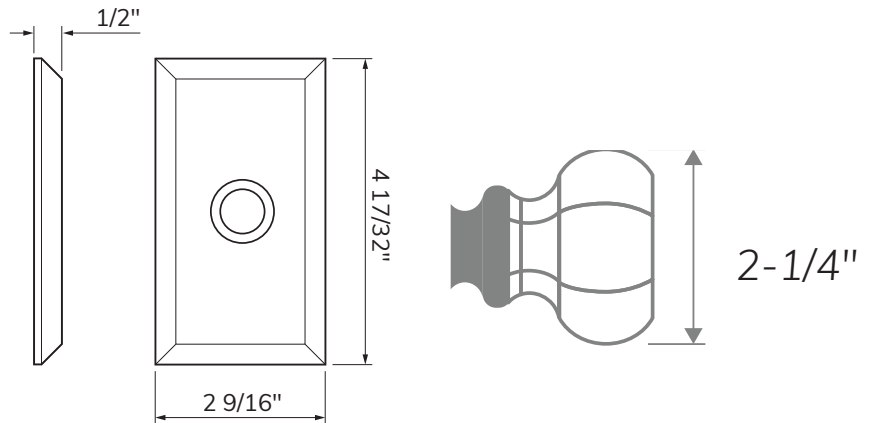
<b>Door Prep</b>	Cross bore: 2-1/8" Edge bore: 1" Latch Face: 1" x 2-1/4"	<b>Latches</b>	2-3/8" Standard and 2-3/4" Optional Faceplate: 1" x 2-1/4" round corner Bolt: 1/2" Solid Brass throw Drive-in or UL Available
<b>Backset</b>	2-3/8" Standard and 2-3/4" Optional	<b>Strikes</b>	Supplied with full lip round corner (9103) and square corner strikes (9102)
<b>Door Thickness</b>	1-3/8" ~ 2", 2-1/4" & 2-1/2" Extension Kits Available		

## 925-G-1 BANCROFT

Shown in Satin Nickel  
with Rectangle Trim



## G-1 RECTANGLE



Function	Finish	Item No.
<b>Passage</b>	Oil Rubbed Bronze (US10B)	BV925-152
	Satin Nickel (US15)	BV925-151
	Black (US19)	BV925-155
	Polished Chrome (US26)	BV925-153
<b>Privacy</b>	Oil Rubbed Bronze (US10B)	BV925-162
	Satin Nickel (US15)	BV925-161
	Black (US19)	BV925-165
	Polished Chrome (US26)	BV925-163
<b>Dummy</b>	Oil Rubbed Bronze (US10B)	BV925-122
	Satin Nickel (US15)	BV925-121
	Black (US19)	BV925-125
	Polished Chrome (US26)	BV925-123