

Bravura®

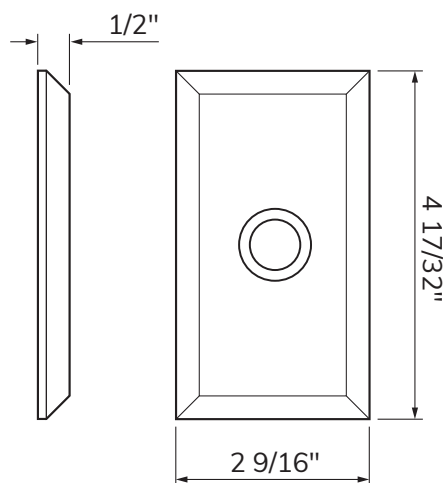
Specifications:

Door Prep	Cross bore: 2-1/8" Edge bore: 1" Latch Face: 1" x 2-1/4"	Latches	2-3/8" Standard and 2-3/4" Optional Faceplate: 1" x 2-1/4" round corner Bolt: 1/2" Solid Brass throw Drive-in or UL Available
Backset	2-3/8" Standard and 2-3/4" Optional	Strikes	Supplied with full lip round corner (9103) and square corner strikes (9102)
Door Thickness	1-3/8" ~ 2", 2-1/4" & 2-1/2" Extension Kits Available		

936-G-1 NASHVILLE

Shown in Satin Nickel
with Rectangle Trim

G-1 RECTANGLE



Function	Finish	Item No.
Passage	Oil Rubbed Bronze (US10B)	BV936-152
	Satin Nickel (US15)	BV936-151
	Black (US19)	BV936-155
	Polished Chrome (US26)	BV936-156
Privacy	Oil Rubbed Bronze (US10B)	BV936-162
	Satin Nickel (US15)	BV936-161
	Black (US19)	BV936-165
	Polished Chrome (US26)	BV936-166
Dummy	Oil Rubbed Bronze (US10B)	BV936-172
	Satin Nickel (US15)	BV936-171
	Black (US19)	BV936-175
	Polished Chrome (US26)	BV936-176