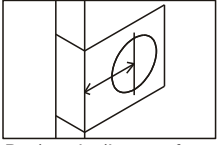


# INSTALLATION GUIDE

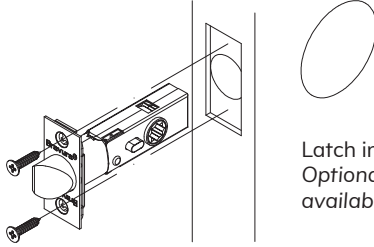
## Concealed Screw Passage / Privacy

# Bravura®

### Install Latch



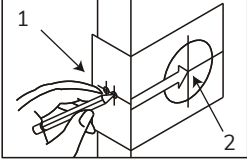
Backset is distance from edge of door to center of hole on door face.



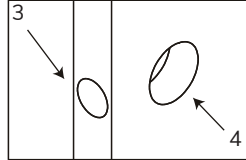
Latch included is 2-3/8" (60mm).  
Optional 2-3/4" (70mm) latch available from your retailer.

### Prep for Wood Door

Cut out the TEMPLATE below and use for steps below.

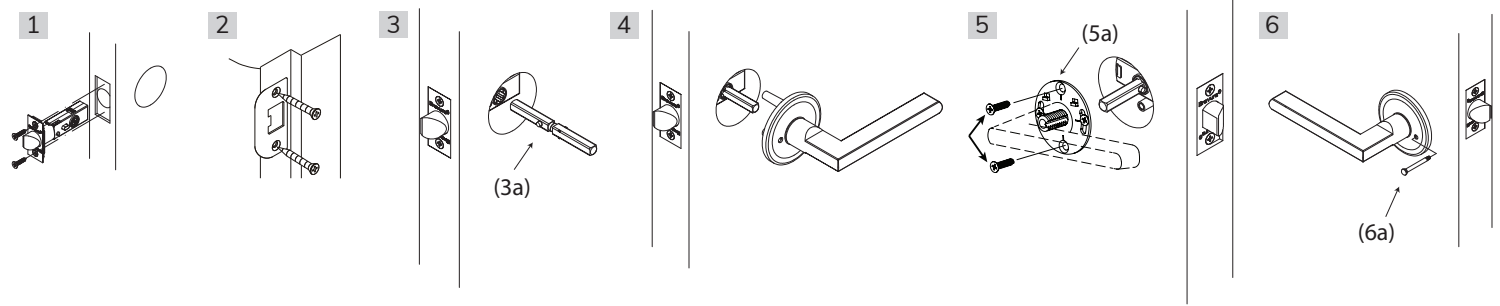


1. Start 38" (965mm) from floor. Fold and apply template. Mark center of door edge.
2. Using either 2-3/8 or 2-3/4" backset as desired, mark center of hole on door face.



3. Drill 1" (25mm) hole for latch.
4. Drill 2-1/8" (54mm) hole on door face from both sides to avoid wood splitting.

### Lock Installation



1. Insert Latch in hole on door edge. Hand tighten screws.
2. Place strike on door jamb. Hand tighten screws.
3. Insert the spindle into the latch mechanism while depressing the button (3a).
4. Attach exterior portion of lock.
5. Insert the concealed screw lock half hub (5a) that has 2 beveled holes into the interior side of the door. Use included mounting screws to attach interior portion of lock to exterior portion of lock. (Due to some lever designs, tightening of the mounting screws may require using a 90 deg. L-shaped screwdriver.)
6. Install concealed screw escutcheon plate over the mounting plate. For Privacy, insert pin from interior - through escutcheon - & thread into latch (6A).

### TEMPLATE

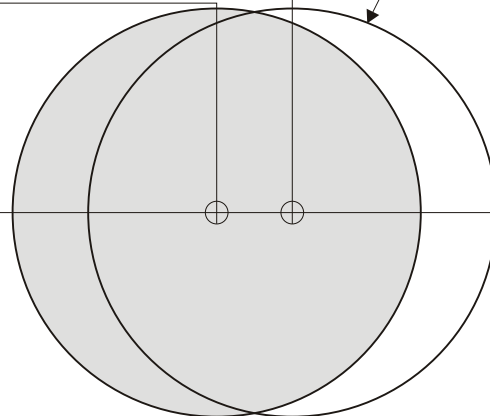
Fold on dotted line and fit on door edge

45 40 35  
1-3/4" 1-9/16" 1-3/8"

FOR BACKSET 2-3/4" (70mm)

FOR BACKSET 2-3/8" (60mm)

Ø 2-1/8" (54mm)



Make 1" (25.4mm) hole at center of door edge.