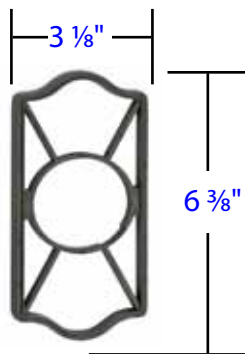


Exterior Projection: 1 3/8"

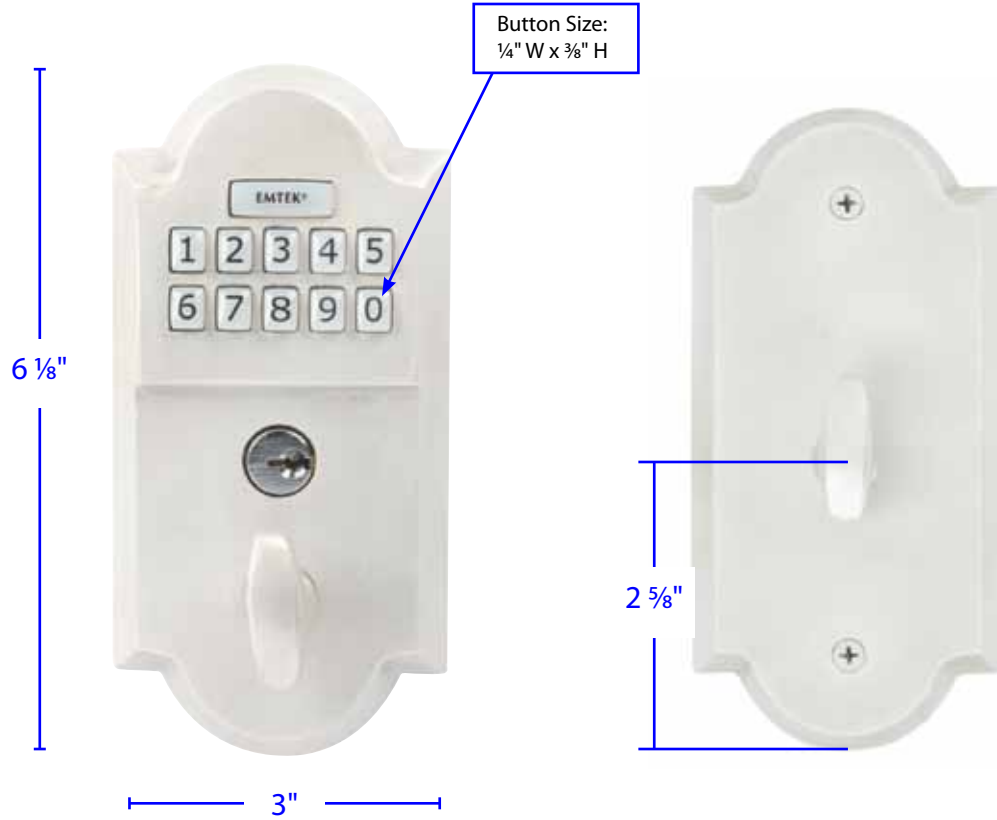
Interior Projection: 1 1/2"



Adaptors available for brass deadbolt to fit doors between 1 3/8" and 1 5/8" thick.

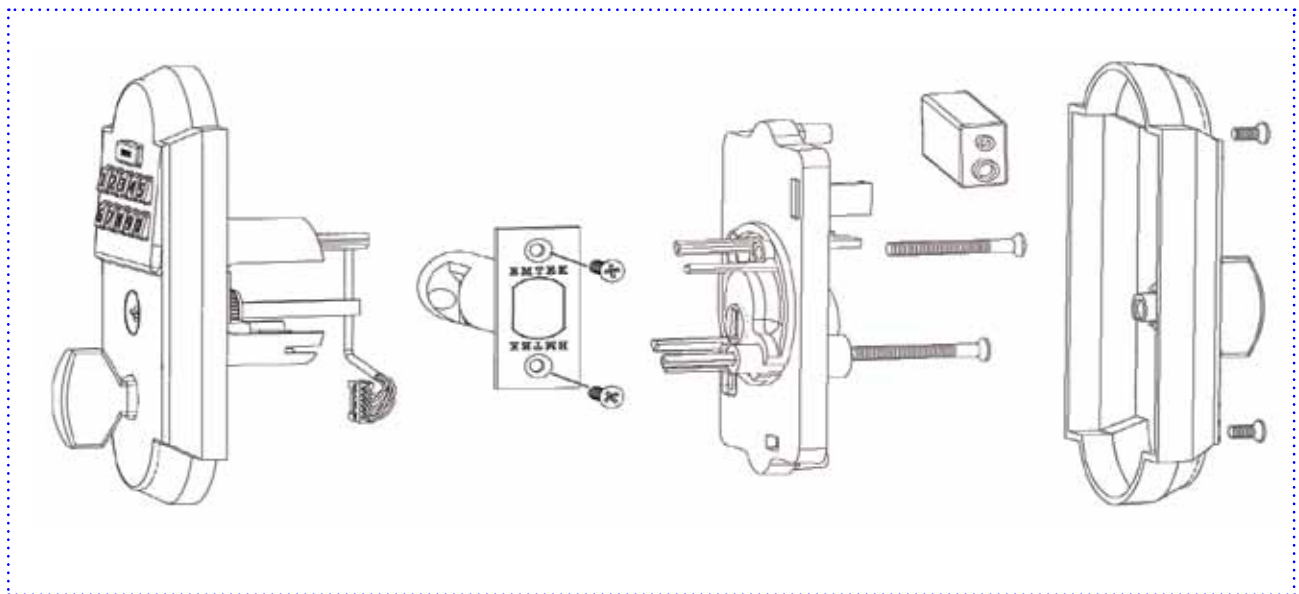
**Product Features:**

- Fits any door between 1 3/4" to 2 1/4" thick with a 2 1/8" bore standard door prep.
- Installs easily with only a Phillips head screwdriver.
- Easy to use installation and programming instructions included.
- Factory programmed with 2 unique, secure user codes for use right out of the box.
- Can be programmed with up to 20 user codes of your choice.
- Codes can be added and deleted.
- Easy lock operation, simply push the Emtek button and turn the exterior thumb turn to lock.
- Easy unlock operation, enter the 4 digit code and turn the exterior thumb turn.
- Programming changes can be made easily using the keypad.
- Keypad has a protective coating to prevent wear patterns.
- Illuminated keypad for easy and quick operation after dark.
- Low battery indicator lets you know when it's time to change the battery.
- Emtek's standard mechanical and finish warranties along with a 2 year warranty on electronic components.



Exterior Projection: 1 3/4"

Interior Projection: 1 3/4"



## Door Thickness Specifications - Electro-Mechanical Dead Bolt and Lever Sets



### EMTouch, Modern, Classic Keypad Locks Dead Bolt

- Standard Door Thickness: 1<sup>3</sup>/<sub>4</sub>" - 2<sup>1</sup>/<sub>4</sub>"
- Standard Components:
- 8-32 x 1<sup>1</sup>/<sub>2</sub>" Mounting Screws
  - Schlage Cylinder w/ 1<sup>1</sup>/<sub>2</sub>" Tailpiece
  - Deadbolt Strike Plate

- **Narrow** Door Thickness: 1<sup>3</sup>/<sub>8</sub>" - 1<sup>5</sup>/<sub>8</sub>"
- Narrow Components:
- Extension Plate\*\*

- **Extended** Door Thickness: Greater than 2<sup>1</sup>/<sub>4</sub>"
- Extended Components:
- Not Available

\*\*Extension Plate is not available  
with bronze trim