

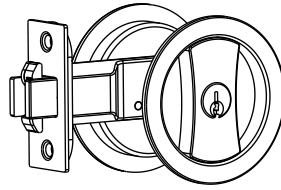
Sliding Door Lock Installation Instructions

Read this guide thoroughly before installation and follow the instructions.

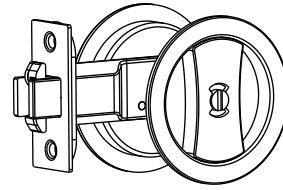
This product is designed for lightweight interior doors. Do not use it on exterior or heavy metal doors.

Door Thicknesses

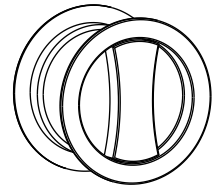
- Entry : 35 mm~55 mm
- Privacy : 31 mm~55 mm
- Passage : 35 mm~51 mm



Entry lock







Privacy lock



Passage lock

Select the length of mounting screws based on the thickness of the door.

Door thicknesses	Length of mounting screw
31~35 mm	 12 mm
35~40 mm	 18 mm
40~45 mm	 22 mm
45~55 mm	 28 mm

Tailpiece lengths (Entry)

Door thicknesses	Length
35~41 mm	23 mm
41~48 mm	31 mm
48~55 mm	39 mm

Tailpiece lengths (Privacy)

Door thicknesses	Length
31~36 mm	29 mm
36~44 mm	37 mm
44~55 mm	45 mm

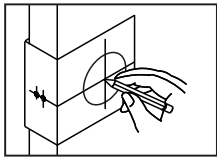


Round finger pull (optional)



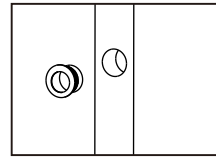
Square finger pull (optional)

Mark Door with Template



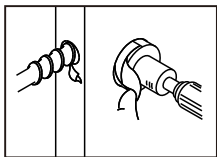
Fold the paper guide and place it on the corner of the door 914 mm from the floor. Make markings on the face and side of the door with the holes on the paper guide.

Install the Sliding Door Finger Pull

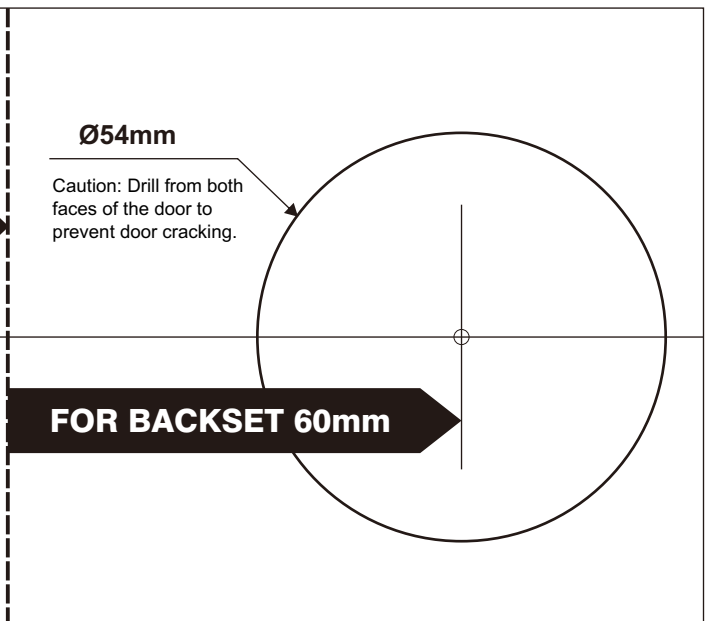
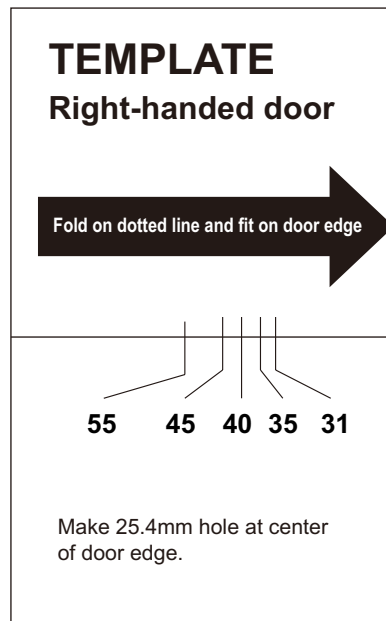
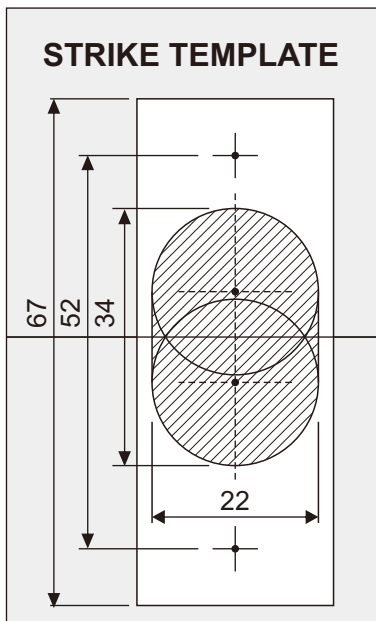
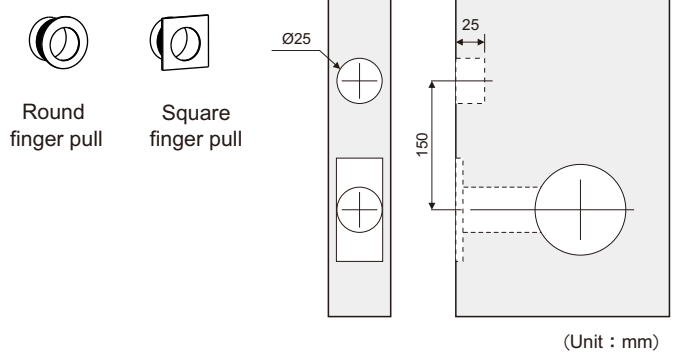
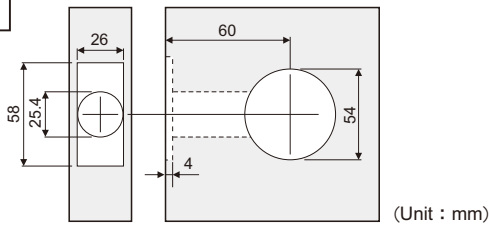


Install the finger pull on the side of the door. Drill a hole 25 mm in diameter and in depth 150 mm above the center of the lock, and then press the finger pull into the hole. (Optionally use construction adhesive to further secure the installation.)

Drill Holes



Drill the 54 mm-diameter lock body hole on the face of the door and the 25.4 mm diameter latch bolt hole on the side of the door as indicated by the markings.



Install Latch and Outside Lock

Install Latch

The "UP ↑" mark on the side of the latch should be facing up. Keep the latch in its retracted position and secure it with mounting screws.

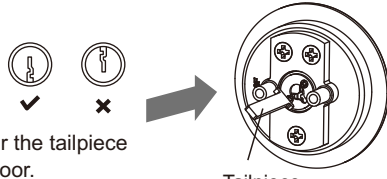
Entry Lock

Note the correct orientation of the keyhole.

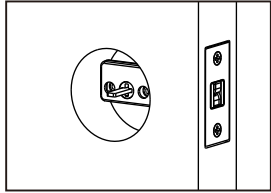
Select the appropriate length for the tailpiece based on the thickness of the door.

Insert the tailpiece at an angle into the tailpiece base.

When the door is below 35 mm in thickness, use a plastic washer.

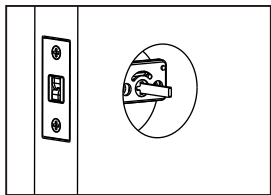


Tailpiece



Right-handed door

Turn the tailpiece to a horizontal position and insert it through the latch transmission plate.



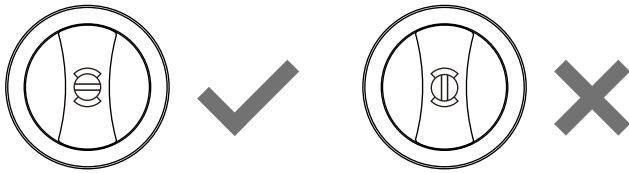
Left-handed door

Turn the tailpiece to a vertical position and insert it through the latch transmission plate.



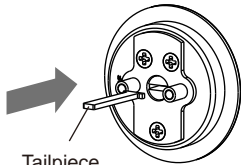
Privacy Lock

Turn the indicator to the blue (unlocked) position.



Select the appropriate length for the tailpiece based on the thickness of the door.

Insert the tailpiece into the chisel base, turn in to the horizontal orientation, and push it through the latch transmission plate.



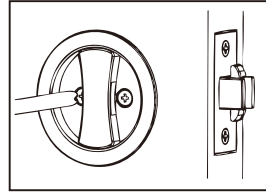
Tailpiece



The tailpiece should be in the horizontal orientation.

Install the Inside Lock

Pull the handle upwards and turn the decorative cover to expose the mounting holes. Select the length of mounting screws based on the thickness of the door and secure the inside lock body. Turn the handle to check if it works properly.



Pull the handle upwards, turn the decorative cover, and then turn the handle again to conceal mounting screws.



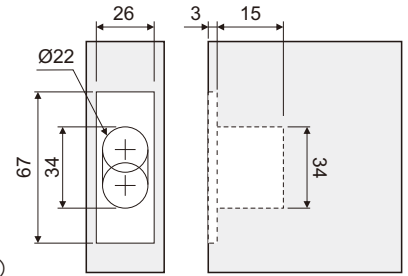
Pull the handle upwards

Turn the cover

Conceal the mounting screws

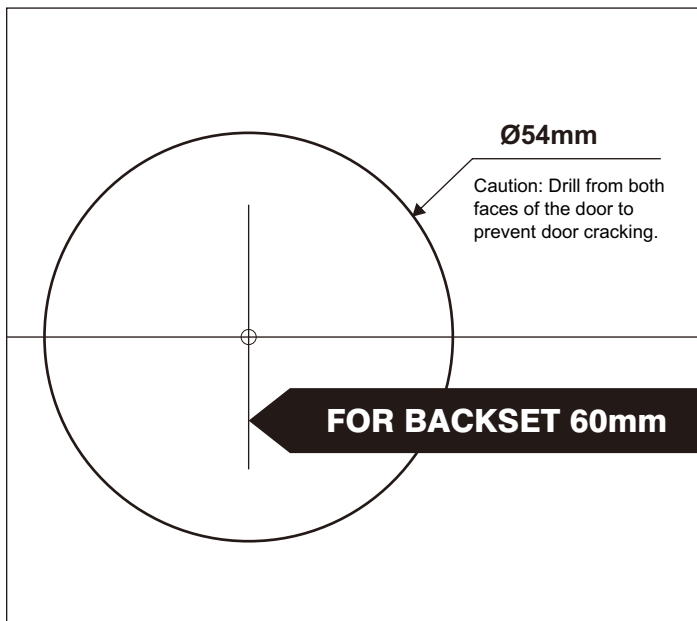
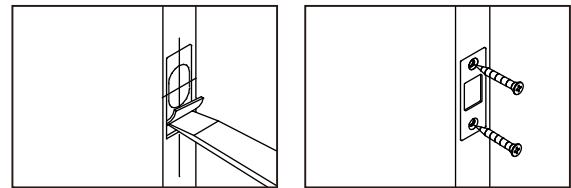
Install Strike

On the door frame, align the center of the strike with the center of the latch bolt faceplate and trace its edges. Drill holes as shown.



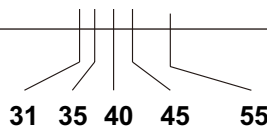
(Unit : mm)

Chisel a 3 mm-deep indentation within the traces of the strike. Place the strike flush with the door frame and secure it with screws.



TEMPLATE Left-handed door

Fold on dotted line and fit on door edge



Make 25.4mm hole at center of door edge.

STRIKE TEMPLATE

