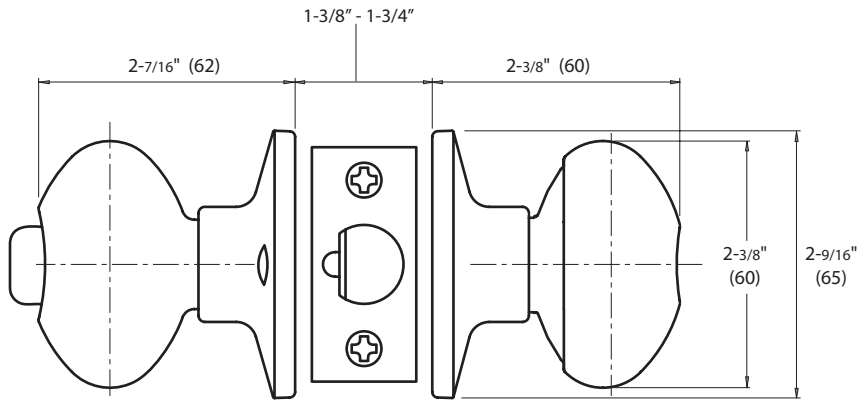


DERBY™ GRADE 3



DIMENSIONS

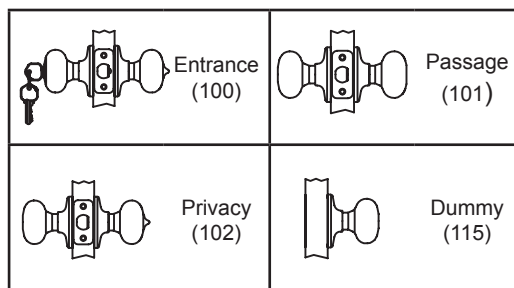


STANDARD SPECIFICATIONS

Door Prep	Cross bore: 2-1/8" Edge bore: 1" Latch face: 1" x 2-1/4"	Latches	Entrance: 2-3/8" & 2-3/4" adjustable (9073) Passage/Privacy: 2-3/8" & 2-3/4" adjustable (9074) Faceplate: 1" x 2-1/4" round corner Bolt: 1/2" throw
Backset	Fits 2-3/8" and 2-3/4"	Strikes	1-3/4" x 2-1/4" full lip round corner (9103)
Door Thickness	1-3/8" ~ 1-3/4" door standard	Wood Screws	Combination screws that suit both wood or metal door mounting
Cylinder	KW1 5-pin standard (Solid Brass) SC1 5-Pin optional. Entries packed KA5	Door Handing	Not Required

Model	Function	WT/LB	CTN QTY	US15 Satin Nickel		US12P Tuscany Bronze	
				Item No.		Item No.	
100T - RB	Entrance	27 Lbs	20 Pcs	D11820		D11827	
101T - RB	Passage	22 Lbs	20 Pcs	D14820		D14827	
102T - RB	Privacy	22 Lbs	20 Pcs	D12820		D12827	
115 - RB	Dummy	9 Lbs	20 Pcs	D15820		D15827	

FUNCTIONS



DELANEY®

Copyright © THE DELANEY CO. All rights reserved.