

Additional Dimensions: (Part # 4816)

- Exterior Projection is 2 3/4"
- Interior Projection Depends on Handle Style
- Overall Grip thickness: 1"
- Clearance between door & grip is 1" - 1 3/4"
- Plates thickness: 1/2"

***Same Dimensions for
Double Cylinder & Dummy Function***

Brass Tubular Entryset Monolithic & Full Length, Single Cylinder

Transitional Heritage (4717), Davos (4818), Lausanne (4819), Apollo (4815), Orion (4816), Zeus (4814)

<ul style="list-style-type: none"> • Standard Door Thickness: 1³/₄" - 2¹/₈" Standard Components: • 1¹/₂" Rosette Screws • Single Cylinder Tailpiece • Outside Entry Spindle • Inside Passage Half Spindle • 2¹/₄" Deadbolt Mounting Screws • Full-Lip Strike Plate • Deadbolt Strike Plate 	<ul style="list-style-type: none"> • Extended Door Thickness: 2¹/₄" - 2¹/₂" Extended Components: • 2" Rosette Screws • Long Single Cylinder Tailpiece • Long Outside Entry Spindle • Long Inside Passage Half Spindle • 3" Deadbolt Mounting Screws • Spindle Extensions • Extended Full-Lip Strike Plate • Deadbolt Strike Plate 	<ul style="list-style-type: none"> • Extended Door Thickness: 2¹/₂" - 3" Extended Components: • 2¹/₂" Rosette Screws • Extra Long Single Cylinder Tailpiece • Long Outside Entry Spindle • Extra Long Inside Passage Half Spindle • 3" Deadbolt Mounting Screws • Spindle Extensions • Extended Full-Lip Strike Plate • Deadbolt Strike Plate
---	--	--

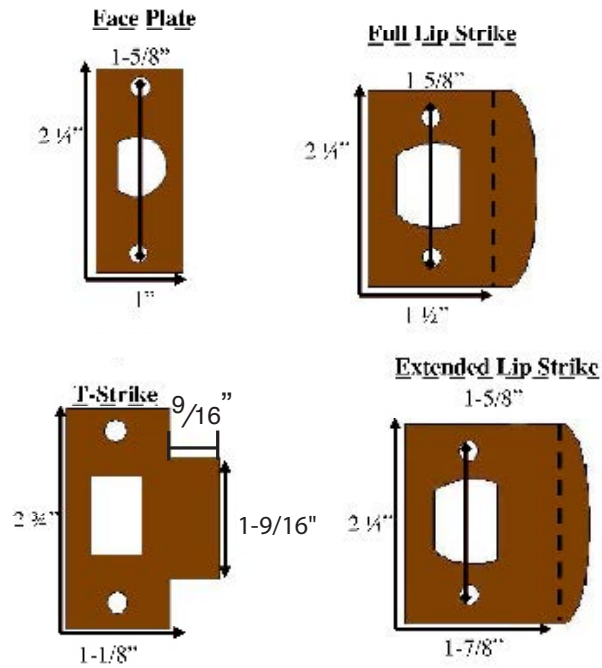
Brass Tubular Entryset Monolithic & Full Length, Double Cylinder

Transitional Heritage (4727), Davos (4828), Lausanne (4829), Apollo (4825), Orion (4826), Zeus (4824)

<ul style="list-style-type: none"> • Standard Door Thickness: 1³/₄" - 2" Standard Components: • 1¹/₂" Rosette Screws • Double Cylinder Tailpiece • Outside Entry Spindle • Inside Passage Half Spindle • 2¹/₄" Deadbolt Mounting Screws • Full-Lip Strike Plate • Deadbolt Strike Plate 	<ul style="list-style-type: none"> • Extended Door Thickness: 2" - 2⁵/₈" Extended Components: • 2" Rosette Screws • Long Double Cylinder Tailpiece • Long Outside Entry Spindle • Long Inside Passage Half Spindle • 3" Deadbolt Mounting Screws • Spindle Extensions • Extended Full-Lip Strike Plate • Deadbolt Strike Plate 	<ul style="list-style-type: none"> • Extended Door Thickness: 2⁵/₈" - 2⁷/₈" Extended Components: • 2¹/₂" Rosette Screws • Long Double Cylinder Tailpiece • Long Outside Entry Spindle • Extra Long Inside Passage Half Spindle • 3¹/₂" Deadbolt Mounting Screws • Spindle Extensions • Extended Full-Lip Strike Plate • Deadbolt Strike Plate
--	---	--

* Part # DB4-COLLAR32 Available for 1³/₈" Thick Doors

Face and Strike Plates



Deadbolt Strike Plates

