

**Additional Dimensions: (Part # 461222)**

- Exterior Projection is 3 1/2"
- Interior Projection Depends on Handle Style
- Overall Grip thickness: 3/4"
- Clearance between door & grip is 2"
- Plates thickness: 1/2"

*Same Dimensions for  
Double Cylinder & Dummy Function*

## Wrought Steel Tubular Entryset Sectional, Single Cylinder

Lafayette (461212), San Carlos (461222), Normandy (461232)

- Standard Door Thickness: 1<sup>5</sup>/<sub>8</sub>"- 2"
- Standard Components:
  - 1<sup>1</sup>/<sub>2</sub>" Rosette Screws
  - Single Cylinder Tailpiece
  - Outside Entry Spindle
  - Inside Passage Half Spindle
  - 2<sup>1</sup>/<sub>4</sub>" Deadbolt Mounting Screws
  - Full-Lip Strike Plate
  - Deadbolt Strike Plate

- **Extended** Door Thickness: 2"- 2<sup>1</sup>/<sub>2</sub>"
- Extended Components:
  - 2" Rosette Screws
  - Long Single Cylinder Tailpiece
  - Long Outside Entry Spindle
  - Long Inside Passage Half Spindle
  - 3" Deadbolt Mounting Screws
  - Spindle Extensions
  - Extended Full-Lip Strike Plate
  - Deadbolt Strike Plate

- **Extended** Door Thickness: 2<sup>1</sup>/<sub>2</sub>"- 2<sup>7</sup>/<sub>8</sub>"
- Extended Components:
  - 2<sup>1</sup>/<sub>2</sub>" Rosette Screws
  - Extra Long Single Cylinder Tailpiece
  - Long Outside Entry Spindle
  - Extra Long Inside Passage Half Spindle
  - 3<sup>1</sup>/<sub>2</sub>" Deadbolt Mounting Screws
  - Spindle Extensions
  - Extended Full-Lip Strike Plate
  - Deadbolt Strike Plate

## Wrought Steel Tubular Entryset Sectional, Double Cylinder

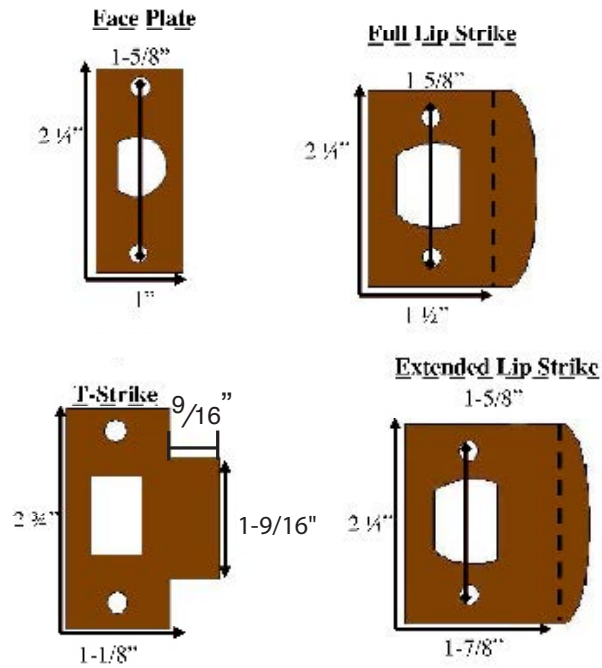
Lafayette (462212), San Carlos (462222), Normandy (462232)

- Standard Door Thickness: 1<sup>1</sup>/<sub>2</sub>"- 2"
- Standard Components:
  - 1<sup>1</sup>/<sub>2</sub>" Rosette Screws
  - Double Cylinder Tailpiece
  - Outside Entry Spindle
  - Inside Passage Half Spindle
  - 2<sup>1</sup>/<sub>4</sub>" Deadbolt Mounting Screws
  - Full-Lip Strike Plate
  - Deadbolt Strike Plate

- **Extended** Door Thickness: 2"- 2<sup>5</sup>/<sub>8</sub>"
- Extended Components:
  - 2" Rosette Screws
  - Long Double Cylinder Tailpiece
  - Long Outside Entry Spindle
  - Long Inside Passage Half Spindle
  - 3" Deadbolt Mounting Screws
  - Spindle Extensions
  - Extended Full-Lip Strike Plate
  - Deadbolt Strike Plate

- **Extended** Door Thickness: 2<sup>5</sup>/<sub>8</sub>"- 2<sup>7</sup>/<sub>8</sub>"
- Extended Components:
  - 2<sup>1</sup>/<sub>2</sub>" Rosette Screws
  - Extra Long Double Cylinder Tailpiece
  - Long Outside Entry Spindle
  - Extra Long Inside Passage Half Spindle
  - 3<sup>1</sup>/<sub>2</sub>" Deadbolt Mounting Screws
  - Spindle Extensions
  - Extended Full-Lip Strike Plate
  - Deadbolt Strike Plate

## Face and Strike Plates



## Deadbolt Strike Plates

