

**Additional Dimensions: (Part # 4314)**

- Exterior Projection is  $2\frac{3}{4}$ "
- Interior Projection Depends on Handle Style
- Overall Grip thickness: 1"
- Clearance between door & grip is  $1\frac{7}{16}$ "
- Plates thickness:  $\frac{1}{2}$ "

**Same Dimensions for  
Double Cylinder & Dummy Function**

## Brass Tubular Entryset Monolithic & Full Length, Single Cylinder

Marietta (4411), Orleans (4311), Arts & Crafts (4811), Wilshire (4211), Wilmington (4314), Melrose (4212), Ribbon & Reed (4711), Imperial (4911), Richmond (4313), Adams (4414), Jefferson (4415)

<ul style="list-style-type: none"> <li>• Standard Door Thickness: 1<sup>3</sup>/<sub>4</sub>"- 2<sup>1</sup>/<sub>8</sub>"</li> <li>Standard Components:</li> <li>• 1<sup>1</sup>/<sub>2</sub>" Rosette Screws</li> <li>• Single Cylinder Tailpiece</li> <li>• Outside Entry Spindle</li> <li>• Inside Passage Half Spindle</li> <li>• 2<sup>1</sup>/<sub>4</sub>" Deadbolt Mounting Screws</li> <li>• Full-Lip Strike Plate</li> <li>• Deadbolt Strike Plate</li> </ul>	<ul style="list-style-type: none"> <li>• <b>Extended</b> Door Thickness: 2<sup>1</sup>/<sub>4</sub>"- 2<sup>1</sup>/<sub>2</sub>"</li> <li>Extended Components:</li> <li>• 2" Rosette Screws</li> <li>• Long Single Cylinder Tailpiece</li> <li>• Long Outside Entry Spindle</li> <li>• Long Inside Passage Half Spindle</li> <li>• 3" Deadbolt Mounting Screws</li> <li>• Spindle Extensions</li> <li>• Extended Full-Lip Strike Plate</li> <li>• Deadbolt Strike Plate</li> </ul>	<ul style="list-style-type: none"> <li>• <b>Extended</b> Door Thickness: 2<sup>1</sup>/<sub>2</sub>"- 3"</li> <li>Extended Components:</li> <li>• 2<sup>1</sup>/<sub>2</sub>" Rosette Screws</li> <li>• Extra Long Single Cylinder Tailpiece</li> <li>• Long Outside Entry Spindle</li> <li>• Extra Long Inside Passage Half Spindle</li> <li>• 3" Deadbolt Mounting Screws</li> <li>• Spindle Extensions</li> <li>• Extended Full-Lip Strike Plate</li> <li>• Deadbolt Strike Plate</li> </ul>
--	---	---

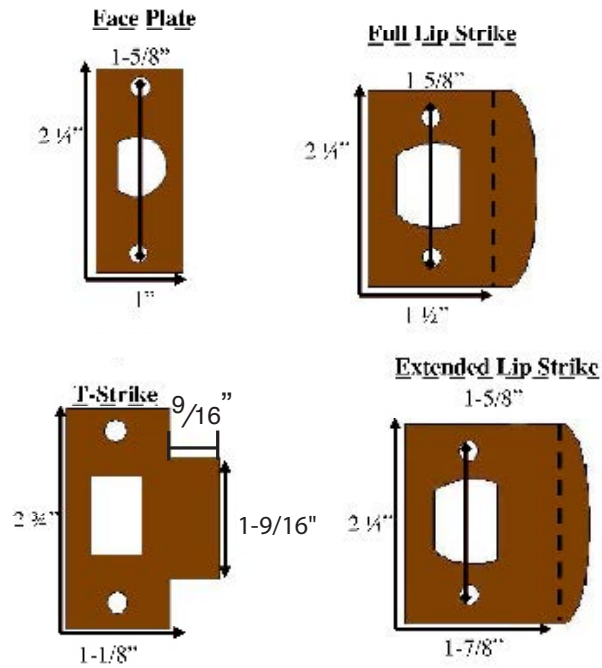
## Brass Tubular Entryset Monolithic & Full Length, Double Cylinder

Marietta (4421), Orleans (4321), Arts & Crafts (4821), Wilshire (4221), Wilmington (4324), Melrose (4212), Ribbon & Reed (4721), Imperial (4921), Richmond (4323), Adams (4424), Jefferson (4425)

<ul style="list-style-type: none"> <li>• Standard Door Thickness: 1<sup>3</sup>/<sub>4</sub>"- 2"</li> <li>Standard Components:</li> <li>• 1<sup>1</sup>/<sub>2</sub>" Rosette Screws</li> <li>• Double Cylinder Tailpiece</li> <li>• Outside Entry Spindle</li> <li>• Inside Passage Half Spindle</li> <li>• 2<sup>1</sup>/<sub>4</sub>" Deadbolt Mounting Screws</li> <li>• Full-Lip Strike Plate</li> <li>• Deadbolt Strike Plate</li> </ul>	<ul style="list-style-type: none"> <li>• <b>Extended</b> Door Thickness: 2"- 2<sup>5</sup>/<sub>8</sub>"</li> <li>Extended Components:</li> <li>• 2" Rosette Screws</li> <li>• Long Double Cylinder Tailpiece</li> <li>• Long Outside Entry Spindle</li> <li>• Long Inside Passage Half Spindle</li> <li>• 3" Deadbolt Mounting Screws</li> <li>• Spindle Extensions</li> <li>• Extended Full-Lip Strike Plate</li> <li>• Deadbolt Strike Plate</li> </ul>	<ul style="list-style-type: none"> <li>• <b>Extended</b> Door Thickness: 2<sup>5</sup>/<sub>8</sub>"- 2<sup>7</sup>/<sub>8</sub>"</li> <li>Extended Components:</li> <li>• 2<sup>1</sup>/<sub>2</sub>" Rosette Screws</li> <li>• Long Double Cylinder Tailpiece</li> <li>• Long Outside Entry Spindle</li> <li>• Extra Long Inside Passage Half Spindle</li> <li>• 3<sup>1</sup>/<sub>2</sub>" Deadbolt Mounting Screws</li> <li>• Spindle Extensions</li> <li>• Extended Full-Lip Strike Plate</li> <li>• Deadbolt Strike Plate</li> </ul>
---	--	---

\* Part # DB4-COLLAR32 Available for 1<sup>3</sup>/<sub>8</sub>" Thick Doors

## Face and Strike Plates



## Deadbolt Strike Plates

