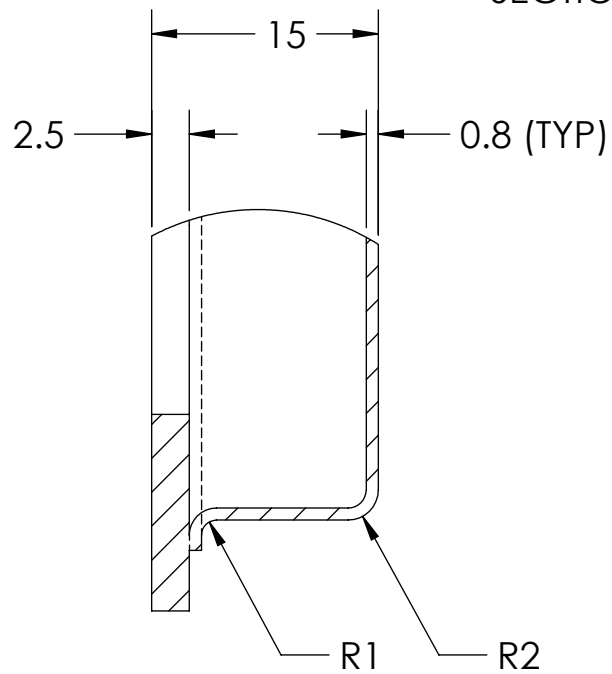
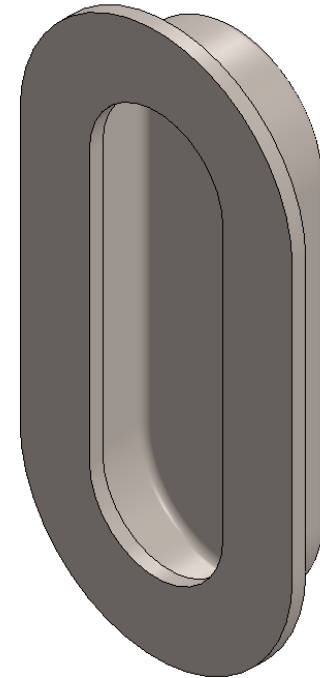


SECTION A-A



DETAIL B



RPO-102
Linnea[®]