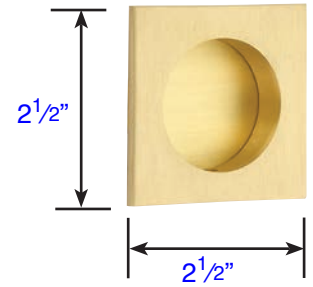
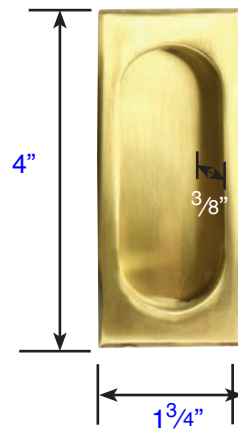


Modern Rectangular Flush Pulls
4" (220304)
6" (220306)
7" (220307)
10" (220310)



Rectangular Flush Pull (2201)



Square Flush Pull (2213)
Fits standard 2 1/8" door prep

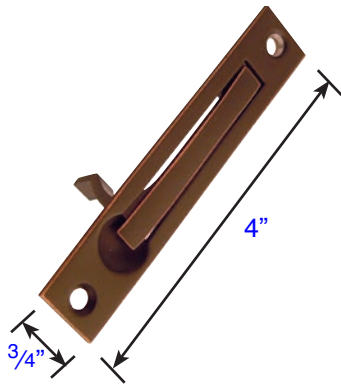


Door Stop
3" (2232) & 4" (2231)
Base = 1 1/4"

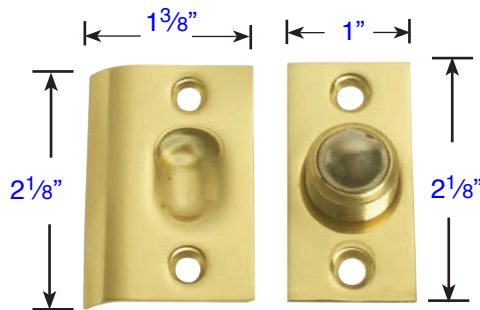


2 1/2" Dia.

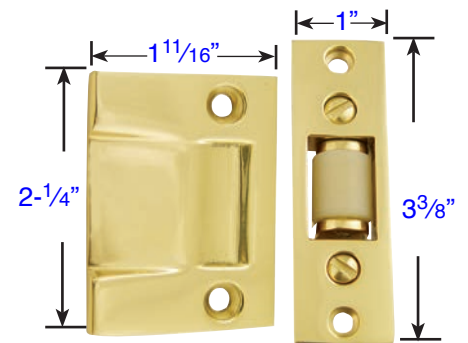
Round Flush Pull (2211)
Fits standard 2 1/8" door prep



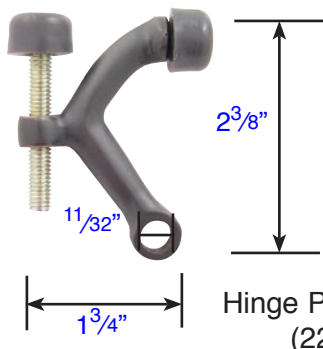
Edge Pull with Screws (2221)



Ball Catch
with Strike & Screws (8802)



Roller Catch
with Strike & Screws (8801)



Hinge Pivot Stop
(2241)



Extended Button Tip
(2242)