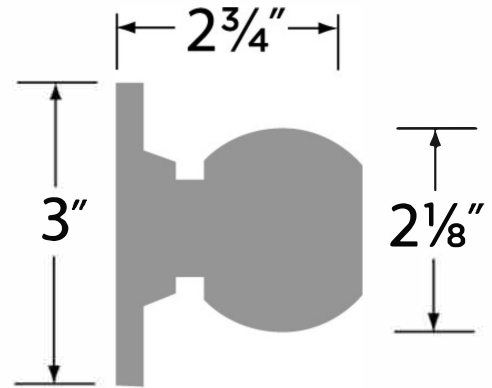


Cylindrical Knobset grade 2



DESCRIPTION	PRODUCT CODE	CASE
Passage (hall/closet) Both sides always free	GT101	12
Privacy (bed/bath) Locked by push button. Unlocked by inside knob or outside coin slot. Inside knob is always free.	GT102	12
Entry- Knob locked by inside push button or outside key. Unlocked by key or inside knob. Inside knob is always free.	GT107	12
Storeroom- Outside knob always locked and a key is required to open. Inside knob is always free.	GT105	12
Classroom- Outside knob locks or unlocks with a key. Inside knob is always free.	GT108	12
Dummy (closet) Inactive, single-sided, flush mount with two wood screws	GT100	24

Finishes

26D Satin Chrome

Certifications

ANSI Grade 2
 UL 3 Hour Fire Rating
 ADA Compliant

Door Thickness

1 3/8" to 1 3/4"

Door Handing

Reversible Handing

Key Cylinder

6 Pin SC1 standard
 6 Pin KW1 option

Strike Plate

5" ASA Strike

Latch

Cylindrical
 Specify 2 3/8" or 2 3/4" backset
 1/2" throw bolt

Door Prep

Crossbore 2 1/8"
 Edgebore 1"

Materials

Zinc
 All metal parts