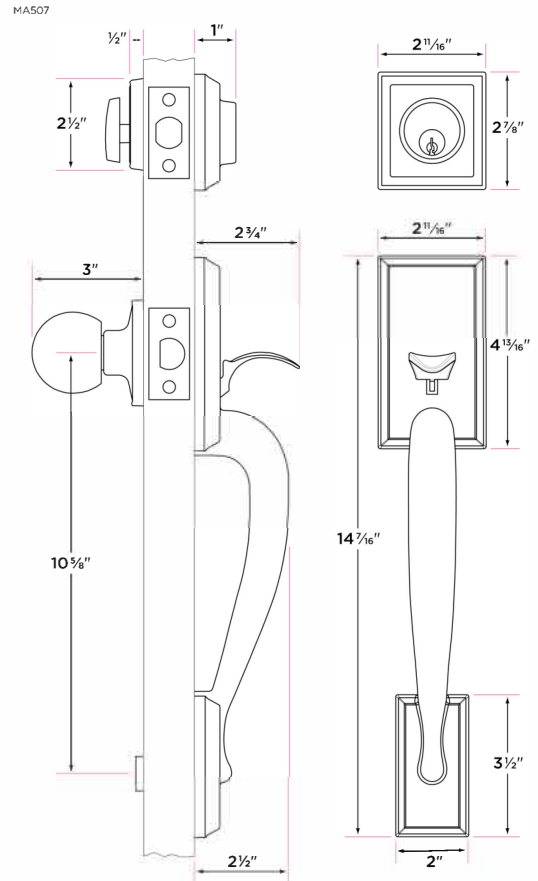


Madison Handleset, grade 2



DESCRIPTION

PRODUCT CODE

CASE

Madison Handleset

MA507-G2

6

Madison Dummy Handleset

MA500

6

Finishes

15 Satin Nickel

FBL Flat Black

Door Handing

Non-handed

Door Thickness

1 3/8" to 1 3/4"

Expansion pack for 2 1/4"

Key Cylinder

5 Pin KW1

5 Pin SC1 Option

Strike Plate

2 1/4" x 1 3/4" full-lip radius corner standard

2 1/4" x 1" deadbolt strike and

2 1/4" x 1 3/4" full-lip radius corner deadbolt strike

Latch

2 1/4" x 1" radius corner faceplate

Adjustable 2 3/8" and 2 3/4"

1/2" throw bolt

1" deadbolt throw

Cut resistant bolt with hardened steel rolling inserts

Door Prep

Crossbore 2 1/8"

Edgebore 1"

Materials

Zinc

All metal parts