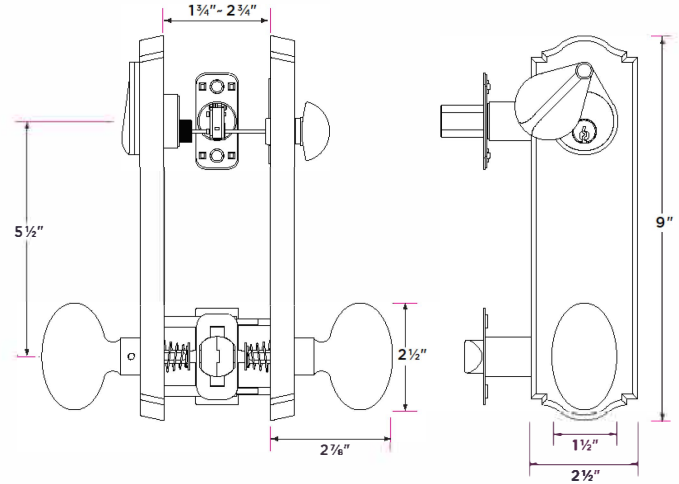


Slickrock Knob



SR107



DESCRIPTION

PRODUCT CODE

CASE

Passage (hall/closet) Both sides always free	SR101	12
Privacy (bed/bath) Locked by push pin. Unlocked by push pin, lever turn, or emergency pin outside	SR102	12
Entry with Deadbolt (exterior doors) Bottom portion is passage function, locked/unlocked by deadbolt	SR107	8
Dummy (closet) Inactive, single-sided, flush mount with two wood screws	SR100	12
Double Dummy (closet) Inactive, double-sided, mounted by thru-bolts	SR100-2	12

Finishes

11P Vintage Bronze

Door Handing

Non-handed

Door Thickness

1 3/8" to 1 3/4"

Entry fits 1 3/4" - 2"

Key Cylinder

5 Pin KW1

4 Pin SC1 option

Strike Plate

2 1/4" x 1 3/4" full lip radius corner standard

2 1/4" x 1" deadbolt strike

and

2 3/4" x 1 1/8" deadbolt strike

Latch

2 1/4" x 1" radius corner face-plate

Non-adjustable 2 3/8" or 2 3/4"

2 3/8" Drive-in latch available

1/2" throw bolt

Split spindle- both sides operate independently

1" deadbolt throw

Cut resistant bolt with hardened steel rolling insert

Door Prep

Crossbore 2 1/8"

Edgebore 1"

5 1/2" center-to-center

Materials

Solid Brass

All metal parts