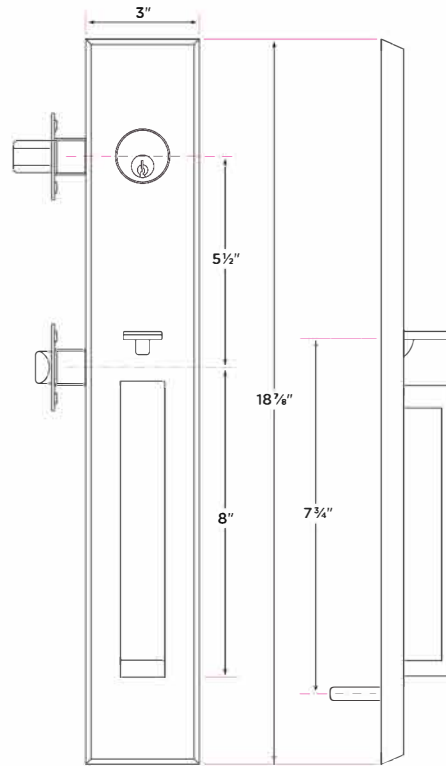


Vail Handleset



VL507



DESCRIPTION

PRODUCT CODE

CASE

Vail Handleset

VL507

6

Vail Dummy Handleset

VL-500

6

Finishes

- 11P Vintage Bronze
- NI Nickel
- FBL Flat Black
- SB Satin Brass

Latch

- 2 1/4" x 1" radius corner faceplate
- Non-adjustable 2 3/8" or 2 3/4" backset
- 2 3/8" drive-in latch available
- 1/2" throw bolt

Strike Plate

- 2 1/4" x 1 3/4" full-lip radius corner standard
- 2 1/4" x 1" deadbolt strike
- 2 3/4" x 1 1/8" deadbolt strike

Door Handing

Non-handed

Door Prep

- Crossbore 2 1/8"
- Edgebore 1"
- 5 1/2" center-to-center

Split Spindle- both sides operate independently

1" deadbolt throw

Cut resistant bolt with hardened steel rolling insert

Door Thickness

1 3/8" - 2"

Expansion pack available for 2 1/4" thick doors

Key Cylinder

- 5 Pin KW1
- 5 Pin SC1 option

Materials

- Solid Brass
- All metal parts

Vail Handleset

Interior Trims:

DESCRIPTION	PRODUCT CODE
Logan Handleset Trim	LN100-H
Levanto Full Plate Handleset Trim	LV100-HFP
Basel Full Plate Handleset Trim	BS100-HFP
Oakley Handleset Trim	OK100-H
Zermatt Full Plate Handleset Trim	ZT100-HFP



Logan Trim



Levanto Trim



Basel Trim



Oakley Trim



Zermatt Trim

