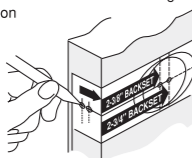
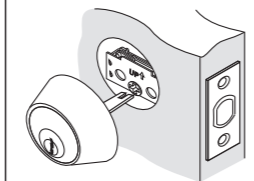
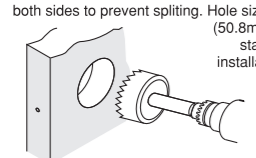
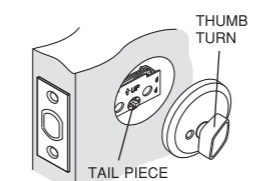
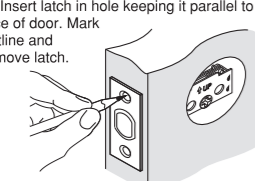

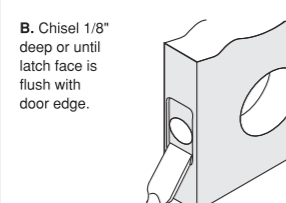

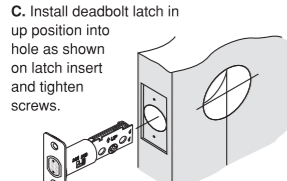
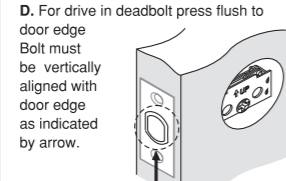
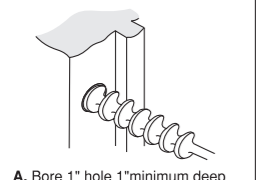
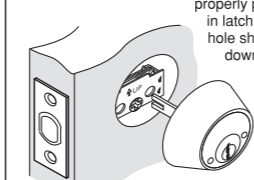
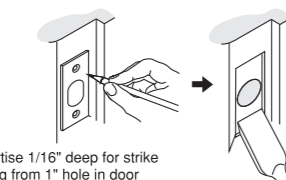
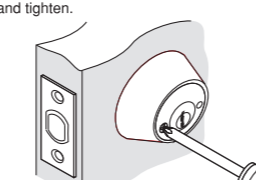
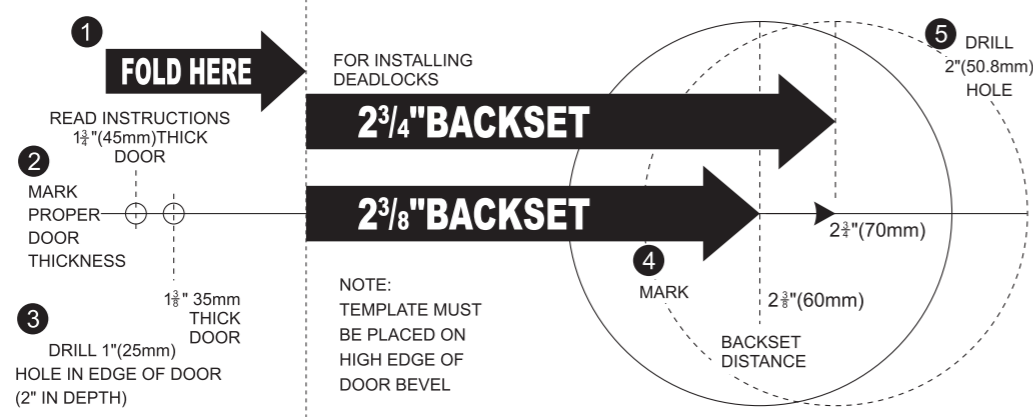


Transitional Series Premiere Essentials™

INSTRUCTIONS FOR INSTALLATION OF SINGLE AND DOUBLE CYLINDER DEADBOLTS
FOR USE ON DOORS 1-3/8" TO 1-3/4" (35mm-45mm)

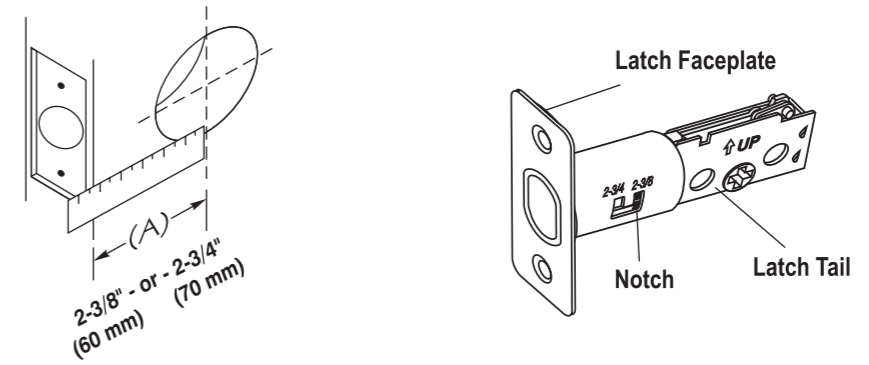
W001-005

1. MARK DOOR A. Fold and apply template to high edge of door bevel and mark center of door edge as indicated on template at the desired height from the floor. 		5. INSTALL EXTERIOR MECHANISM A. Press cylinder side flush against door making certain the torque blade is properly positioned in latch crank. B. Tapped holes in mounting plate of exterior cylinder should be lined up with latch holes. Key hole should be in down position. 	
2. DRILL HOLES A. Drill thru door face as marked for lockset. It is recommended that holes be drilled from both sides to prevent splitting. Hole size is 2" (50.8mm) for standard installations. 		6. INSTALL INTERIOR MECHANISM A. Slide thumb turn and interior rosette onto tail piece. 	
3. INSTALL LATCH A. Insert latch in hole keeping it parallel to face of door. Mark outline and remove latch. 		INSTRUCTIONS FOR INSTALLING DOUBLE CYLINDER DEADLOCKS A. Install exterior cylinder EXTERIOR TAIL PIECE MUST BE IN HORIZONTAL POSITION 	
B. Chisel 1/8" deep or until latch face is flush with door edge. 		B. Install interior cylinder INTERIOR TAIL PIECE MUST BE IN VERTICAL POSITION 	
C. Install deadbolt latch in up position into hole as shown on latch insert and tighten screws. 		NOTE: This assembly is placed through the cam first. 	
D. For drive in deadbolt press flush to door edge. Bolt must be vertically aligned with door edge as indicated by arrow. 		NOTE: This assembly is placed through the cam second. 	
4. INSTALL STRIKE A. Bore 1" hole 1" minimum deep for deadbolt. 		C. Press interior assembly flush against door making certain the tail piece is properly positioned in latch hole. Key hole should be in down position. 	
B. Mortise 1/16" deep for strike locating from 1" hole in door insert and tighten screws. 		D. Insert (2) two screws through countersunk holes engaging holes in exterior cylinder and tighten. 	

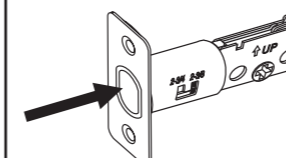
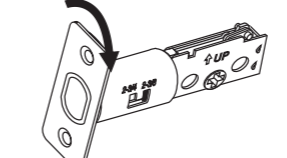
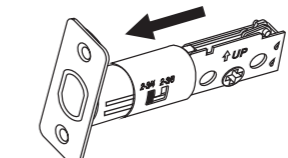
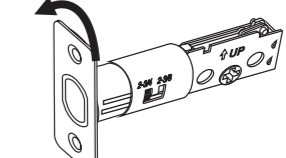


Selecting the Proper Backset

The backset is the distance from the door edge to the center of the hole



To adjust the backset from 2-3/8" to 2-3/4" follow these steps.

Retract the latch bolt.	Hold the latch tail and rotate the faceplate towards you.	Once the notch is in the groove, pull the latch faceplate away from the latch tail.	Rotate the latch faceplate away from you and check to see if the notch is at the 2-3/4" mark.
			

To adjust the backset from 2-3/4" to 2-3/8" follow these steps.

Retract the latch bolt.	Hold the latch tail and rotate the faceplate towards you.	Once the notch is in the groove, push the latch faceplate towards the latch tail.	Rotate the latch faceplate away from you and check to see if the notch is at the 2-3/8" mark.
